

# PAN & FLEX FACE

## PAN FACE

Beyond our standard panel offerings in aluminum and high impact plastic substrates, Charleston Manufacturing, LLC is now able to offer pan face configurations as well.

Designed to provide a more substantial, three dimensional image Charleston Manufacturing, LLC's pan face signs are vacuum formed to a depth of approximately 2" so as to really stand out and provide a dramatic substrate for your graphic message.

Vacuum formed pan faces from Charleston Manufacturing, LLC provide an economical option to

both illuminated and non-illuminated signs. Graphic options for your pan face include second surface vinyl, back sprayed embossed lettering or first surface applications of your choice.

Finally Charleston Manufacturing, LLC's pan face panels are readily adaptable into our line of architectural signage extrusions providing you with a professional look that your customer's will simply love.

## FLEX FACE

Also available from Charleston Manufacturing, LLC are a complete line of flexible face panels designed

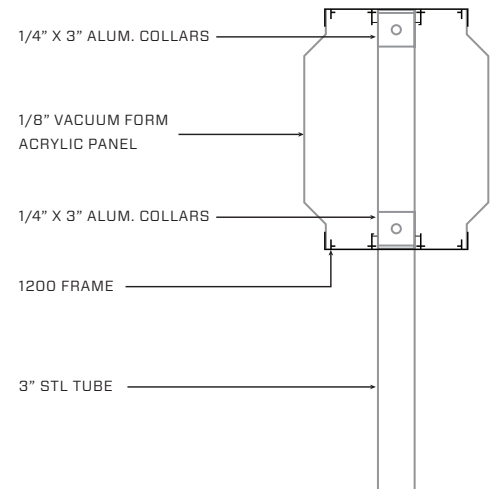
to help your graphics message stand out from the crowd.

Designed primarily for use with our Series 1200 framing system, Charleston Manufacturing, LLC's flex face sign panels are the perfect choice when your project requires a highly visible and highly functional product to use in large commercial types of applications.

Finally Charleston Manufacturing, LLC's thoughtfully designed tensioning systems and choice of fabric covers combine durability with a beautiful design no matter the application.

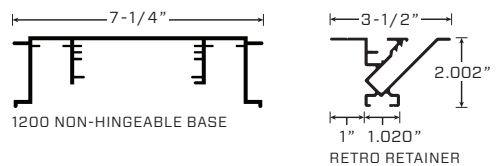


## PAN FACE COMPONENTS



## FLEX FACE COMPONENTS

### RETAINER AND FRAME OPTIONS »



### COVER OPTIONS »

